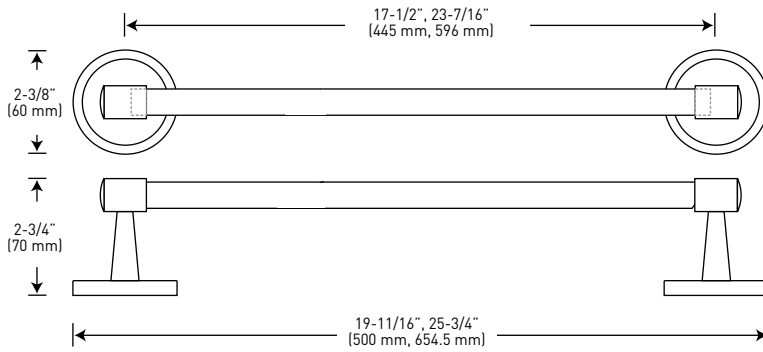


FEATURES

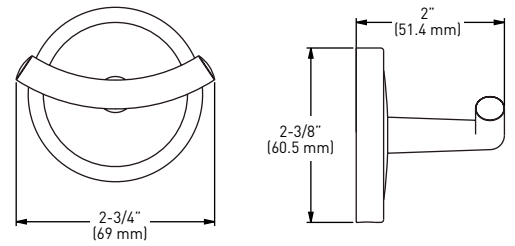
- › INCLUDES SOLID ZINC DIE CAST MOUNTING PLATES: 1-13/16" x 1-3/16" [46 mm x 30 mm]; NYLON ANCHORS AND STEEL PHILLIPS HEAD SCREWS: #8 x 1-1/4" [32 mm]
- › ZINC DIE-CAST CONSTRUCTION (POSTS)



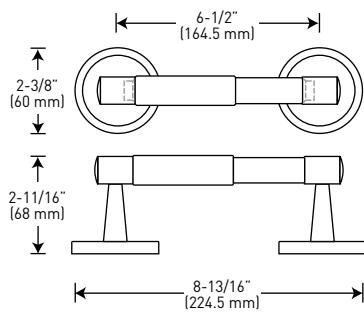
TOWEL BAR



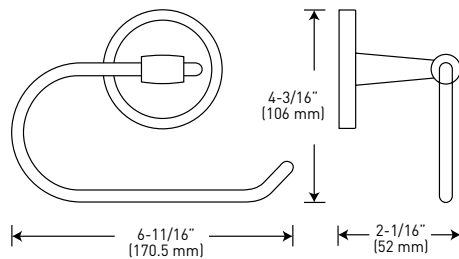
DOUBLE ROBE HOOK



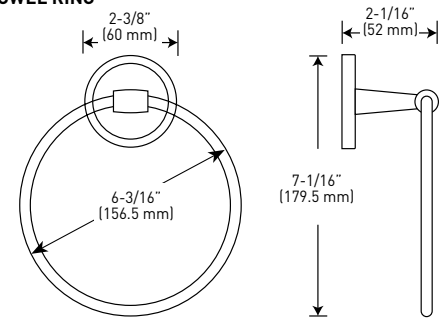
A - PAPER HOLDER



B - PAPER HOLDER



TOWEL RING



BUILDER PACK

POLISHED CHROME 26

MATERIAL

CASE PACK

18" TOWEL BAR
24" TOWEL BAR

04-20418
04-20424

STAINLESS STEEL
STAINLESS STEEL

10
10

DOUBLE ROBE HOOK

04-20402

ZINC

10

TOWEL RING

04-20404

STAINLESS STEEL

10

A - PAPER HOLDER

04-20408

ZINC/PLASTIC

10

B - PAPER HOLDER

04-20448

STAINLESS STEEL

10

MEASUREMENTS SUBJECT TO A 3% VARIANCE

MEASUREMENTS ARE FOR REFERENCE ONLY. TAYMOR RESERVES THE RIGHT TO CHANGE THE PRODUCT SPECS WITHOUT NOTICE. FOR PRODUCT WARRANTY, PLEASE VISIT TAYMOR WEBSITE FOR DETAILS

