

# EXIT HARDWARE

## 8500 & 9700 SERIES OUTSIDE THUMBPIECE TRIMS BUILDER PACK



17-ENTPAL  
ENTRY



17-STTPAL  
STOREROOM



17-PSTPAL  
PASSAGE



17-DUPAL  
DUMMY

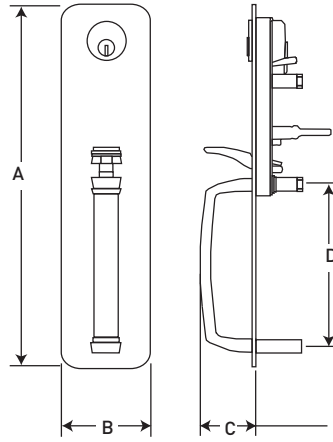
### FEATURES

|                              |   |
|------------------------------|---|
| <b>NEW ENHANCEMENTS</b>      | MEETS OR EXCEEDS BHMA/ANSI GRADE 1<br>ULTRA-HEAVY DUTY ACTUATING MECHANISM  |
| <b>COMPATIBILITY</b>         | 8500 & 9700 SERIES PUSH PAD EXIT DEVICE   |
| <b>FUNCTION</b>              | NON-HANDED OUTSIDE THUMBPIECE TRIMS   |
| <b>MATERIAL</b>              | HEAVY DUTY CAST ZINC ALLOY FOR HANDLE AND PLATE   |
| <b>FINISHES</b>              | ALUMINUM (US28)   |
| <b>MOUNTING PEG</b>          | 5-1/2" C/C DISTANCE   |
| <b>ESCUTCHEON PLATE SIZE</b> | 3" x 12-5/16" x 3/32" (76mm x 312.5mm x 2.5mm)  |
| <b>PROJECTION</b>            | 25/32" (45mm) MAXIMUM   |
| <b>CYLINDER</b>              | RIM CYLINDER WITH 6 PIN SCHLAGE 'C' KEYWAY FOR STOREROOM FUNCTION<br>MORTISE CYLINDER (1-1/8" DEPTH) WITH 6 PIN SCHLAGE 'C' KEYWAY FOR ENTRY FUNCTION |
| <b>TRIMS/FUNCTIONS</b>       | ENTRY*, STOREROOM, PASSAGE AND DUMMY  |

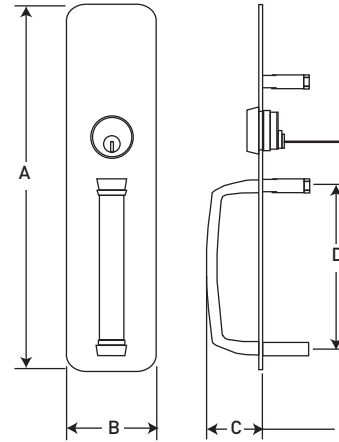
\*ENTRY FUNCTION ALSO SERVES AS CLASSROOM FUNCTION

# EXIT HARDWARE

## 8500 & 9700 SERIES OUTSIDE THUMBPIECE TRIMS BUILDER PACK



17-ENTPAL  
ENTRY



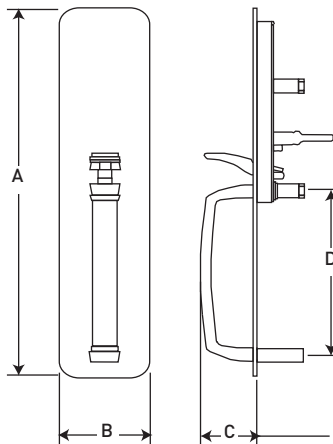
17-STTPAL  
STOREROOM

A = 12-5/16" (312.5mm)

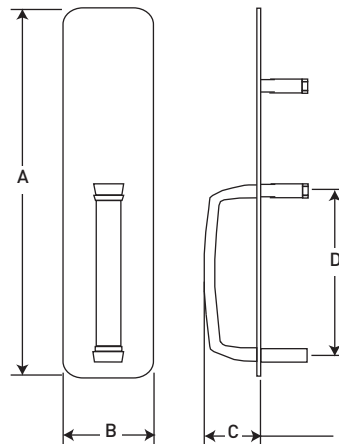
B = 3" (76mm)

C = 1-7/8" (47.5mm)

D = 5-1/2" (139.5mm)



17-PSTPAL  
PASSAGE



17-DUPAL  
DUMMY

**THUMBPIECE OUTSIDE TRIMS**

|                                      | US28<br>ALUMINUM | CASE<br>PACK |
|--------------------------------------|------------------|--------------|
| ENTRY FUNCTION* - SCHLAGE 'C' KEYWAY | 17-ENTPAL        | 10           |
| STOREROOM FUNCTION                   | 17-STTPAL        | 10           |
| PASSAGE FUNCTION                     | 17-PSTPAL        | 10           |
| DUMMY FUNCTION                       | 17-DUPAL         | 10           |

\*ENTRY FUNCTION ALSO SERVES AS CLASSROOM FUNCTION