

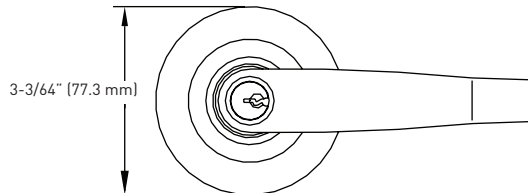
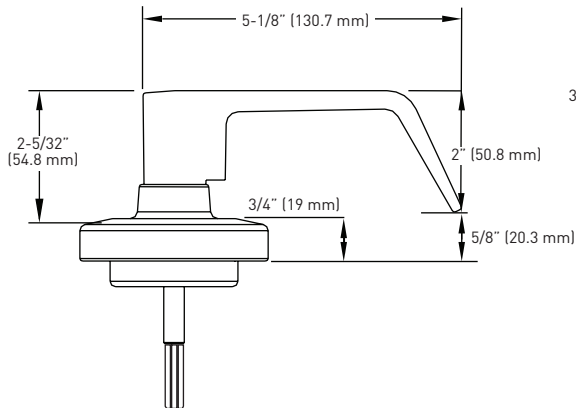
Taymor

EXIT HARDWARE

**8500 & 9700 SERIES LEVER
EXTERIOR TRIM**
BUILDER PACK



LEVER
TRIM



FEATURES

- SPECIFICATIONS** MEETS OR EXCEEDS BHMA/ANSI GRADE 1
ULTRA-HEAVY DUTY ACTUATING MECHANISM
- COMPATIBILITY** ALL 8500 & 9700 SERIES PUSH PAD EXIT
DEVICES
- FINISHES** SATIN CHROME (US26D)
- FUNCTIONS** ENTRY*, STOREROOM, PASSAGE
- CYLINDER** RIM CYLINDER WITH 6 PIN SCHLAGE 'C' KEYWAY
FOR STOREROOM FUNCTION MORTISE CYLINDER
(1-1/8" DEPTH) WITH 6 PIN SCHLAGE 'C' KEYWAY
FOR ENTRY FUNCTION

*ENTRY FUNCTION ALSO SERVES AS CLASSROOM FUNCTION

LEVER TRIMS



	US26D SATIN CHROME	CASE PACK
ENTRY FUNCTION* - SCHLAGE "C" KEYWAY	17-LEVEL	6
STOREROOM FUNCTION - TRIM MOUNTING PLATE INCLUDED (17-PPMTMP)	17-SRLEVEL	6
PASSAGE FUNCTION	17-PALEVSC	6