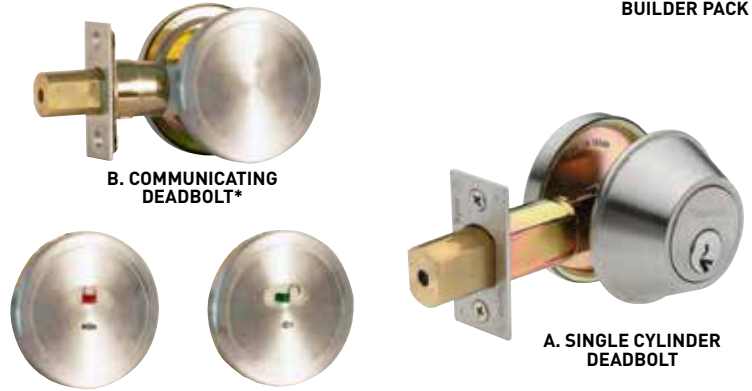


FEATURES

- › ANSI/BHMA A 156.2 GRADE 2
- › SOLID BRASS CYLINDER
- › DOOR PREP: CROSS BORE 2-1/8" OR 1-1/2"
- › 2-IN-1 ADJUSTABLE BACKSET LATCH
2-3/8" TO 2-3/4" (61 mm x 70 mm) FOR A. & C.
- › FIXED BACKSET LATCH 2-3/4" (61 mm) FOR B.
- › 1" x 2-1/4" (25 mm x 57 mm) SQUARE MORTISE LATCH
- › 5 YEAR MECHANICAL WARRANTY



C. OCCUPANCY INDICATOR DEADBOLT SHOWING RED "LOCKED" & GREEN "UNLOCKED" ICONS

2

ANSI GRADE 2



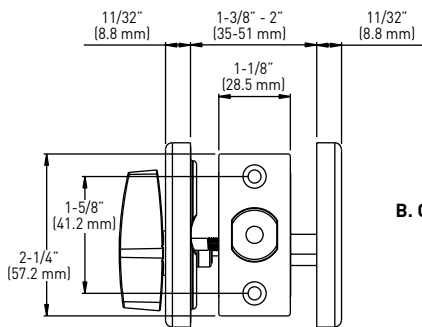
FULL KEYING SERVICES AVAILABLE

6-pin SC4 keyway, packaged keyed different

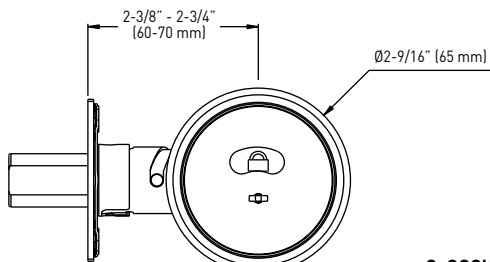


FIRE RATED

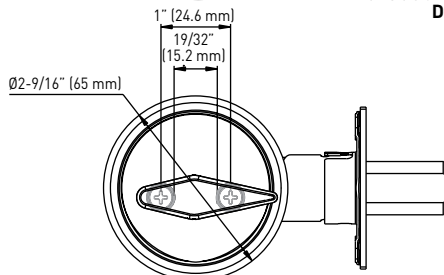
Meets c-UL and UL 3-hour fire rating standard



B. COMMUNICATING DEADBOLT*



C. OCCUPANCY INDICATOR DEADBOLT



A. SINGLE CYLINDER DEADBOLT

COMMERCIAL GRADE 2 DEADBOLT

26D
SATIN CHROME

CASE
QTY.

A. SINGLE CYLINDER DEADBOLT

32-F470

20

B. SINGLE SIDED COMMUNICATING DEADBOLT *NOT UL/FIRE RATED

32-F218

20

C. OCCUPANCY INDICATOR DEADBOLT

32-F238

20

