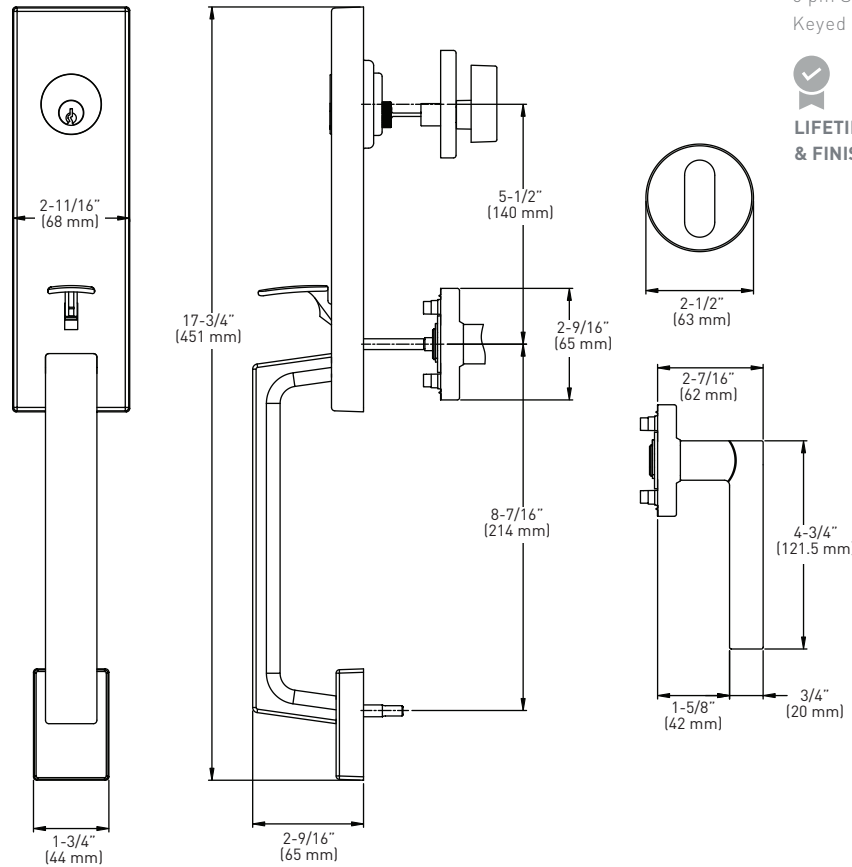


Taymor® | PRODUCT SPECIFICATIONS

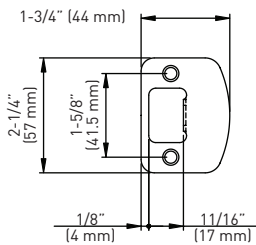
THE PREMIER LINE LONDON HANDLESET

SPECIFICATIONS

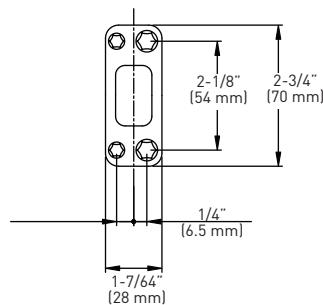
- › ENTRY LOCK SOLUTION FOR SINGLE FAMILY RESIDENTIAL BUILDINGS
- › INCLUDES VEGA INTERIOR LEVER
- › UNIVERSAL 6-IN-1 LATCH: DRIVE IN, SQUARE MORTISE AND RADIUS CORNER WITH ADJUSTABLE BACKSET: 2-3/8" (60 mm) - 2-3/4" (70 mm)
- › INCLUDES ANTI-PRY COLLAR FOR REINFORCED SECURITY
- › HIGH TENSILE STEEL ANTI-SAW DEADBOLT WITH 1" THROW
- › STANDARD CENTER TO CENTER BORE DISTANCE: 5-1/2" (140 mm)
- › STANDARD BORE HOLES: 2-1/8" (54 mm) ALSO FITS SMALL DEADBOLT BORE: 1-1/2" (38 mm)
- › FITS STANDARD EXTERIOR DOOR THICKNESS: 1-3/4" (45 mm)
- › FULL LIP RADIUS CORNER SPRING LATCH STRIKE WITH ADJUSTABLE TAB
- › HIGH SECURITY DEADBOLT STRIKE



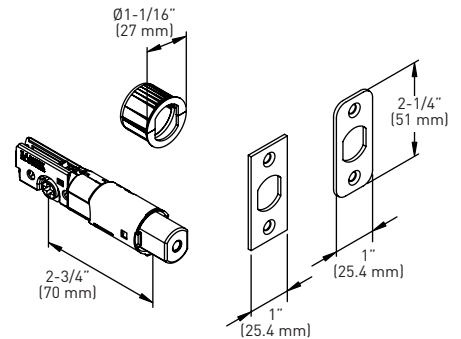
FULL LIP RADIUS STRIKE



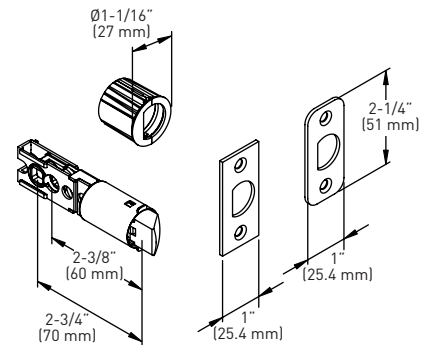
HIGH SECURITY STRIKE



6-IN-1 ADJUSTABLE DEADBOLT LATCH



6-IN-1 SPRING LATCH



GRADE 2

ANSI GRADE 2



FULL KEYING SERVICES AVAILABLE

6 pin SC4 keyway, packaged in Keyed Different.



LIFETIME MECHANICAL & FINISH WARRANTY



VEGA INSIDE LEVER

MEASUREMENTS SUBJECT TO A 3% VARIANCE

MEASUREMENTS ARE FOR REFERENCE ONLY. TAYMOR RESERVES THE RIGHT TO CHANGE THE PRODUCT SPECS WITHOUT NOTICE. FOR PRODUCT WARRANTY, PLEASE VISIT TAYMOR WEBSITE FOR DETAILS

BUILDER PACK	AGED BRONZE 10B+	SATIN NICKEL 15	MATTE BLACK 19	POLISHED CHROME 26	CASE QTY
London Handleset	30-D1016BRN	30-D1016SN	30-D1016BLK	30-D1016PC	4

