



- SPECIFICATIONS**
- › ANSI/BHMA A156.4 GRADE 3
  - › UL LISTED COMPLIANT UL10C FOR POSITIVE PRESSURE
  - › HIGH STRENGTH ALUMINUM ALLOY BODY
  - › NON-HANDED
  - › TWO INDEPENDENT ADJUSTABLE VALVES CONTROL SWEEPING AND LATCHING SPEED
  - › UNIVERSAL MOUNTING (REGULAR AND PARALLEL BRACKETS INCLUDED)
  - › SUPPLIED WITH BOTH MACHINE AND WOOD SCREWS
  - › STABLE HYDRAULIC FLUID FOR ANY CLIMATE OPERATION & CONSTANT LUBRICATION FROM -20°C TO +50°C



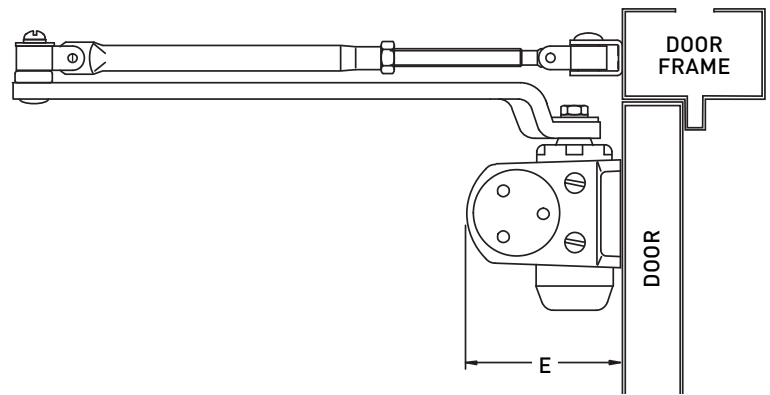
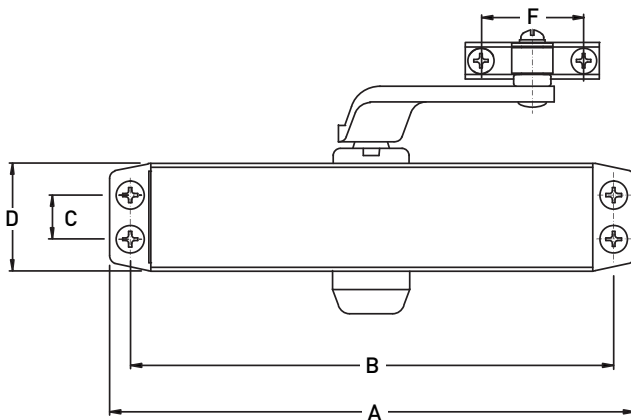
ANSI GRADE 3



LISTED



5 YEAR MECHANICAL  
1 YEAR FINISH WARRANTY



	A	B	C	D	E	F
14-HC602AL	7-15/16" (186 mm)	6-5/8" (168 mm)	3/4" (19 mm)	1-23/32" (44.5 mm)	2-5/8" (67 mm)	1-17/32" (39 mm)
14-HC603AL	8-3/4" (223 mm)	8-1/8" (206 mm)	3/4" (19 mm)	1-3/4" (44.5 mm)	2-7/8" (72 mm)	1-17/32" (39 mm)
14-HC604AL	9-3/4" (248 mm)	9-1/16" (230 mm)	3/4" (19 mm)	1-3/4" (44.5 mm)	2-7/8" (72 mm)	1-17/32" (39 mm)

SIZE	MAXIMUM RECOMMENDED DOOR SIZE & WEIGHT	ALUMINUM	CASE PACK
2	36" x 84" - (90 cm x 210 cm) 55-100 lbs / (25-45 kg)	14-HC602AL	10
3	38" x 84" - (95 cm x 210 cm) 88-144 lbs / (40-64 kg)	14-HC603AL	10
4	42" x 96" - (105 cm x 240 cm) 132-187 lbs / (60-84 kg)	14-HC604AL	10