

## SPECIFICATIONS

- › SOLID METAL CONSTRUCTION
- › 4-IN-1 ADJUSTABLE LATCH FOR DRIVE-IN AND RADIUS MORTISE INSTALLATIONS WITH ADJUSTABLE BACKSET: 2-3/8" (60 mm) – 2-3/4" (70 mm)
- › FITS STANDARD DOOR THICKNESS: 1-3/8" (35 mm) – 1-3/4" (45 mm)
- › STANDARD BORE HOLES: 1-1/2" (38 mm) and 2-1/8" (54 mm)
- › HIGH SECURITY STRIKE



GRADE  
**3**

ANSI GRADE 3



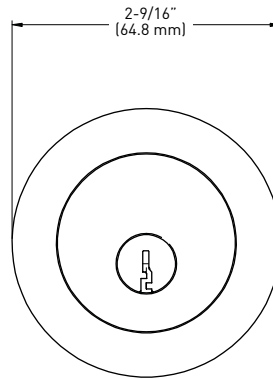
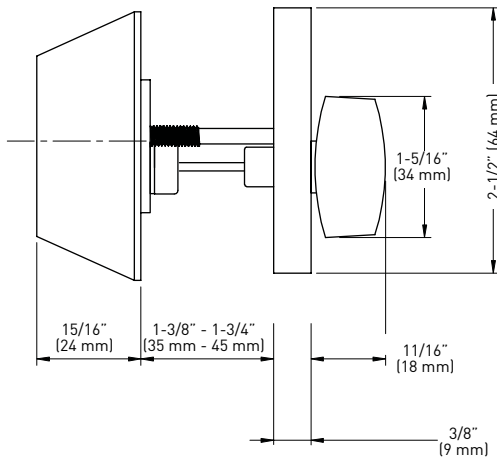
LIMITED LIFETIME WARRANTY



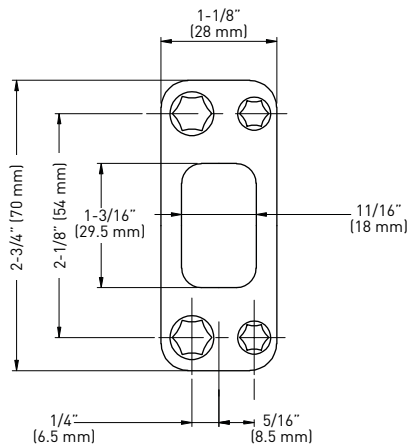
FULL KEYING SERVICES AVAILABLE  
KW1 5-PIN KEYWAY



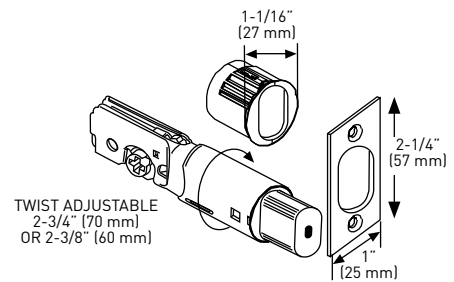
20 MINUTE  
OPTIONAL  
FIRE RATING



### HIGH SECURITY STRIKE



### 4-IN-1 DRIVE-IN/SQUARE MORTISE



MEASUREMENTS SUBJECT TO A 3% VARIANCE

MEASUREMENTS ARE FOR REFERENCE ONLY. TAYMOR RESERVES THE RIGHT TO CHANGE THE PRODUCT SPECS WITHOUT NOTICE. FOR PRODUCT WARRANTY, PLEASE VISIT TAYMOR WEBSITE FOR DETAILS.

BUILDER PACK	SINGLE CYLINDER DEADBOLT	SINGLE SIDED INTERIOR THUMB TURN	CASE QTY.
AGED BRONZE 10B+	36-RD2201BRN	36-RD2100BRN	20
SATIN NICKEL 15	36-RD2201SN	36-RD2100SN	20
SATIN CHROME 26D	36-RD2201SC	36-RD2100SC	20
POLISHED BRASS 3	36-RD2201PB	36-RD2100PB	20

