

SPECIFICATIONS

- › ADA THUMBTURN
- › CONCEALED SCREW MOUNT
- › INCLUDES ANTI-PRY COLLAR
- › UNIVERSAL 6-IN-1 LATCH
- › HIGH TENSILE STEEL ANTI-SAW DEADBOLT WITH 1" THROW
- › DEADBOLT FITS 2-1/8" OR 1-1/2" BORE HOLE
- › FITS STANDARD DOOR THICKNESS 1-3/4" TO 2-1/4"
- › HIGH SECURITY DEADBOLT STRIKE



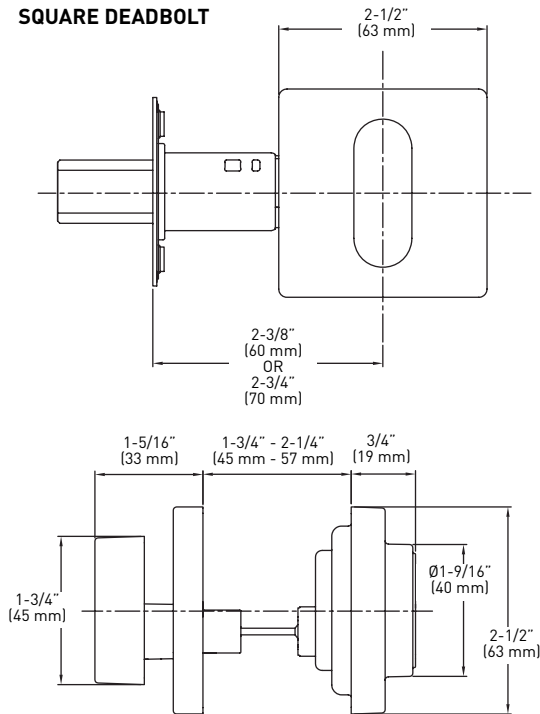
GRADE
2
ANSI GRADE 2



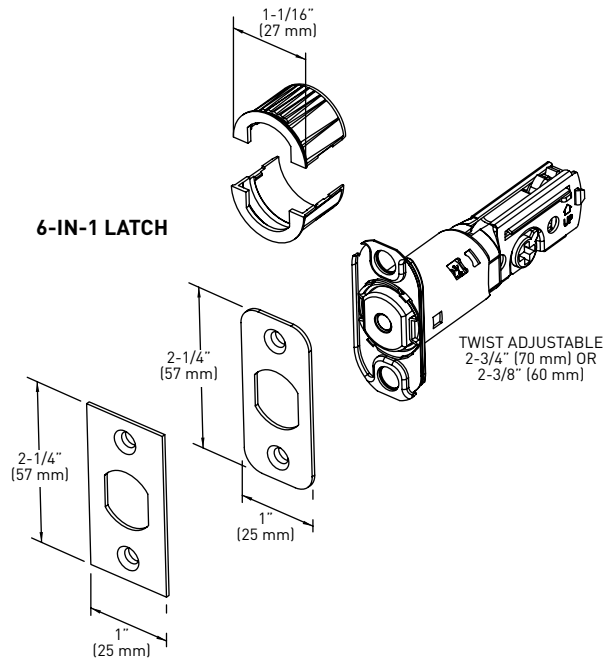
LIMITED LIFETIME MECHANICAL & FINISH WARRANTY



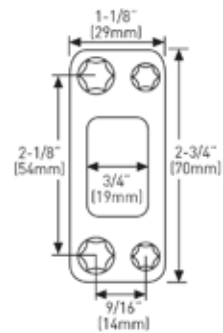
SQUARE DEADBOLT



6-IN-1 LATCH



HIGH SECURITY STRIKE



MEASUREMENTS SUBJECT TO A 3% VARIANCE

MEASUREMENTS ARE FOR REFERENCE ONLY. TAYMOR RESERVES THE RIGHT TO CHANGE THE PRODUCT SPECS WITHOUT NOTICE. FOR PRODUCT WARRANTY, PLEASE VISIT TAYMOR WEBSITE FOR DETAILS

BUILDER PACK	AGED BRONZE 10B+	SATIN NICKEL 15	MATTE BLACK 19	POLISHED CHROME 26	SATIN CHROME 26D	CASE QTY
BUILDER SQUARE DEADBOLT	30-D01SC402BRN	30-D01SC402SN	30-D01SC402BLK	30-D01SC402PC	30-D01SC402SC	9