

### SPECIFICATIONS

- › HARDENED "CUT-PROOF" STEEL PIN
- › 6-IN-1 ADJUSTABLE LATCH
- › FITS STANDARD DOOR THICKNESS: 1-3/8" (35 mm) - 1-3/4" (45 mm)
- › TWO 3" (76 mm) STRIKE SCREWS FOR INCREASED SECURITY
- › HIGH SECURITY STRIKE STANDARD
- › SOLID BRASS CYLINDER
- › ANTI-SLIP COLLAR (REMOVABLE FOR 1-1/2" (38 mm) BORE HOLES)
- › LIMITED LIFETIME MECHANICAL WARRANTY
- › 5 YEAR FINISH WARRANTY



SINGLE CYLINDER DEADBOLT

GRADE  
**3**

ANSI GRADE 3



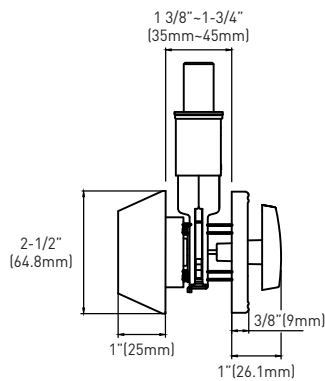
### KEYING SERVICES AVAILABLE

6-pin SC4 keyway, packaged in Keyed Alike (KA).

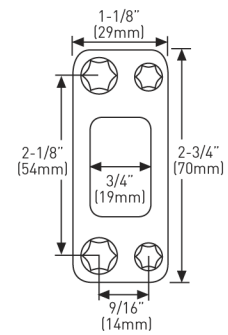
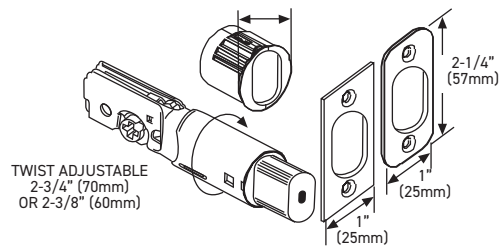


### FIRE RATING AVAILABLE

Optional 20-minute fire rating. A fire can and UL latch must be ordered in conjunction with deadbolt. Deadbolt must be installed in a 2-1/8" (54 mm) bore hole.



SINGLE CYLINDER DEADBOLT



HIGH SECURITY STRIKE

MEASUREMENTS ARE FOR REFERENCE ONLY. TAYMOR RESERVES THE RIGHT TO CHANGE THE PRODUCT SPECS WITHOUT NOTICE. FOR PRODUCT WARRANTY, PLEASE VISIT TAYMOR WEBSITE FOR DETAILS.

BUILDER PACK	SINGLE CYLINDER DEADBOLT
SATIN NICKEL 15	33-D420
MATTE BLACK 19	33-D430BLK
POLISHED CHROME 26	33-D440PC
SATIN CHROME 26D	33-D470
CASE QTY. 18	