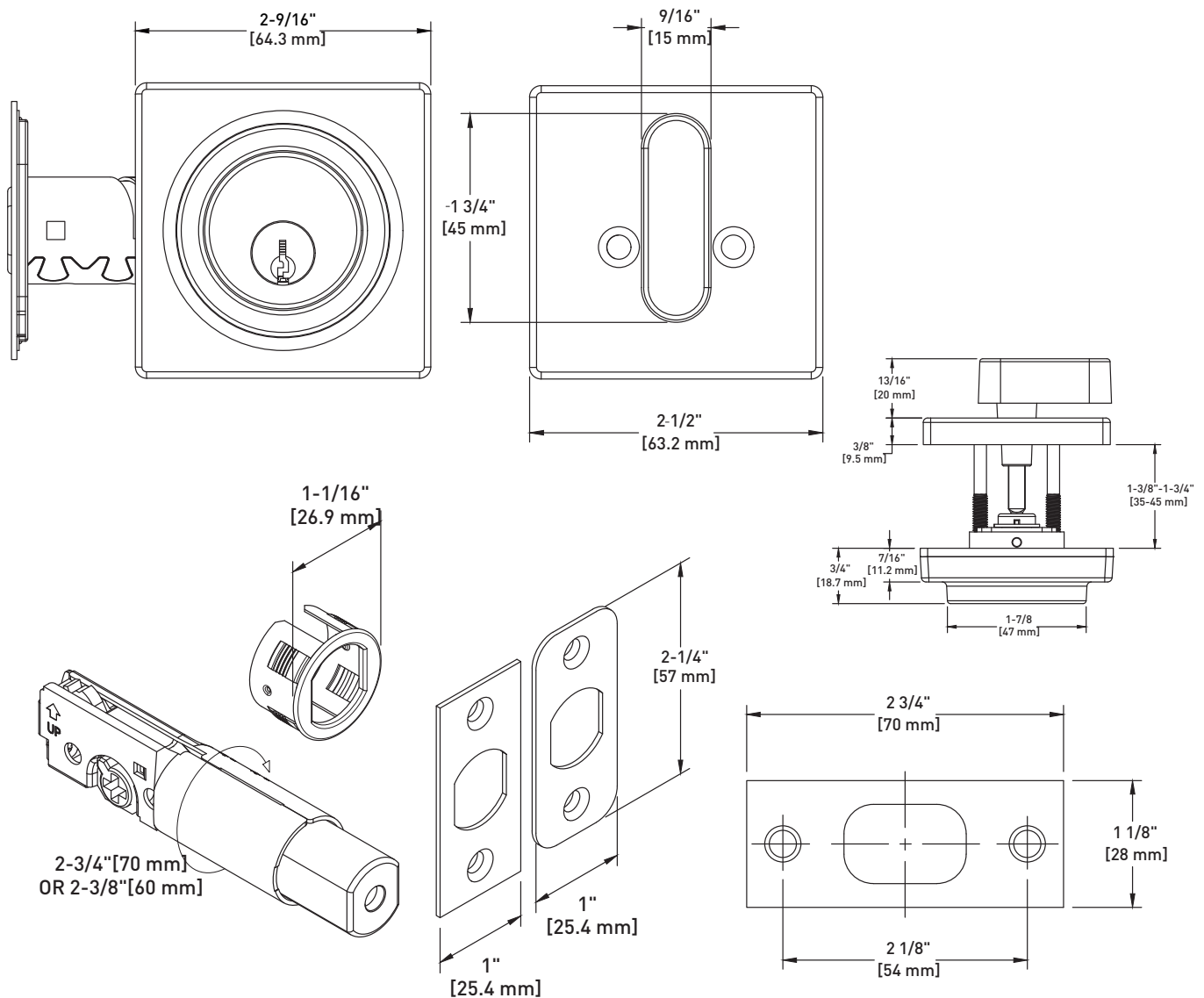




FEATURES

- Solid metal construction
- 6-In-1 adjustable latch for drive-in and radius and square
- Mortise installations with adjustable backset: 2-3/8" (60 mm) – 2-1/2"
- Fits standard door thickness: 1-3/8" (35 mm) – 1-3/4" (45 mm)
- Standard bore holes: 1-1/2" (38 mm) and 2-1/8" (54 mm)
- Regular square strike
- SC1 keyway



BOX PACKAGING	MATTE BLACK 19	SATIN NICKEL 15	CASE QTY.
BUILDERS STANDARD DEADBOLT	36-RD106BLK	36-RD106SN	6