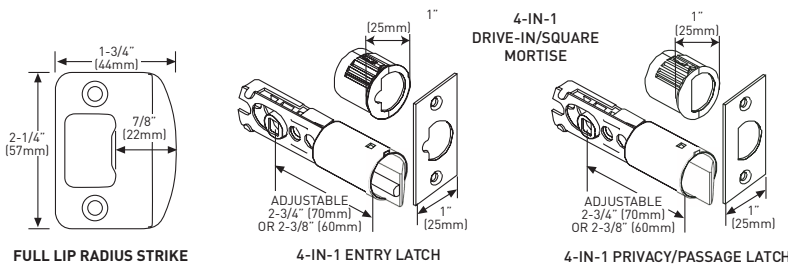
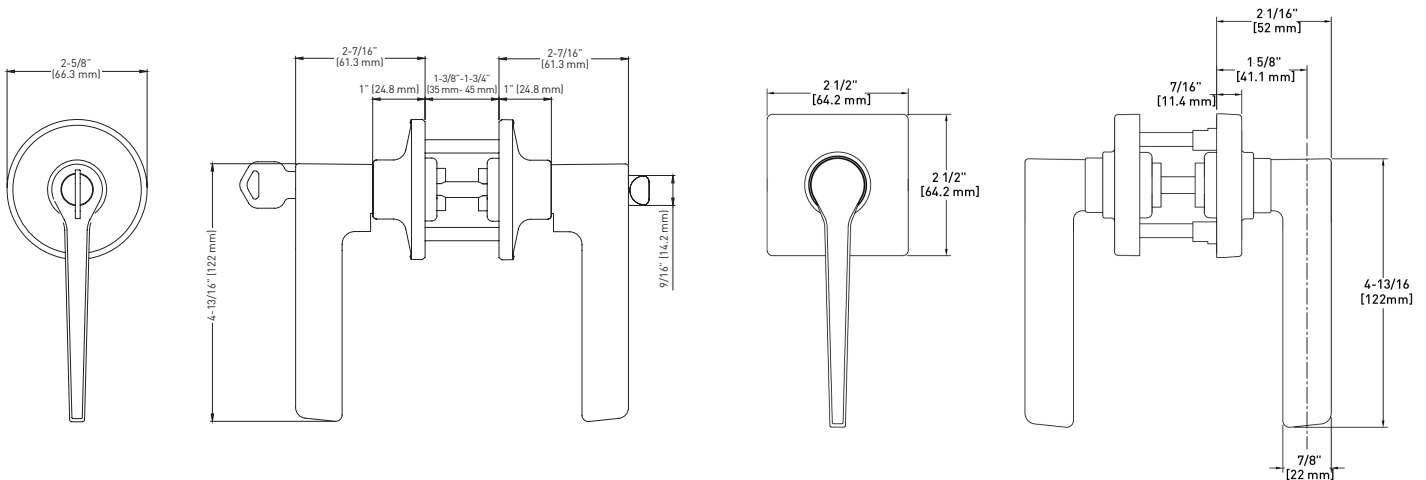




## FEATURES

- SOLID METAL CONSTRUCTION
- 6-IN-1 ADJUSTABLE LATCH FOR DRIVE-IN AND SQUARE MORTISE INSTALLATIONS WITH ADJUSTABLE BACKSET: 2-3/8" (60 mm) – 2-3/4" (70 mm)
- FITS STANDARD DOOR THICKNESS: 1-3/8" (35 mm) – 1-3/4" (45 mm)
- STANDARD BORE HOLES: 2-1/8" (54 mm)
- 1-3/4" x 2-1/4" FULL LIP CORNER RADIUS "D" STRIKE
- FIRE RATING DOES NOT APPLY TO ENTRY FUNCTION
- COMPATIBLE WITH 5" BACKSET DEADLATCH
- ENTRY FUNCTION IN MATTE BLACK FINISH COMES WITH MATCHING KEYWAY



**MEASUREMENTS SUBJECT TO A 3% VARIANCE**  
 MEASUREMENTS ARE FOR REFERENCE ONLY. TAYMOR RESERVES THE RIGHT TO CHANGE THE PRODUCT SPECS WITHOUT NOTICE. FOR PRODUCT WARRANTY, PLEASE VISIT TAYMOR WEBSITE FOR DETAIL

## ROUND SILVER MOON

BOX PACKAGING	ENTRY - KD	PRIVACY	PASSAGE	DUMMY	CASE QTY.
<b>SATIN NICKEL 15</b>	36-D7510SN	36-D7503SN	36-D7505SN	36-7511SN	20
<b>POLISHED CHROME 26</b>	36-D7510PC	36-D7503PC	36-D7505PC	36-7511PC	20
<b>SATIN CHROME 26D</b>	36-D7510SC	36-D7503SC	36-D7505SC	36-7511SC	20

## SQUARE SILVER MOON

BOX PACKAGING	ENTRY - KD	PRIVACY	PASSAGE	DUMMY	CASE QTY.
<b>SATIN NICKEL 15</b>	36-D7610SN	36-D7603SN	36-D7605SN	36-7611SN	20
<b>MATTE BLACK 19</b>	36-D7610BLK	36-D7603BLK	36-D7605BLK	36-7611BLK	20