



Grab Bars - Exposed Mount

FEATURES

- › STAINLESS STEEL CONSTRUCTION (KG)
- › MAXIMUM WEIGHT LOAD 250 LBS (113 KG)
- › MOUNTING HARDWARE INCLUDED



EXPOSED MOUNT | KNURLED

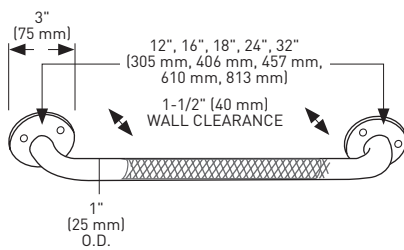


EXPOSED MOUNT | SMOOTH

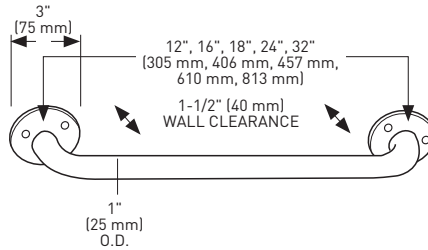


135° ANGLED EXPOSED MOUNT | KNURLED

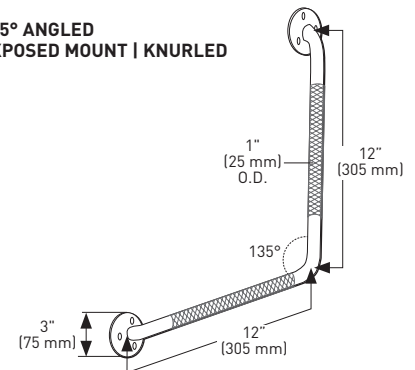
EXPOSED MOUNT | KNURLED



EXPOSED MOUNT | SMOOTH



135° ANGLED EXPOSED MOUNT | KNURLED



RETAIL PACK	EXPOSED MOUNT KNURLED POLISHED STAINLESS STEEL 32	EXPOSED MOUNT SMOOTH WHITE FINISH STAINLESS STEEL	CASE QTY.
12" GRAB BAR (304 mm) - 1" (25 mm) O.D.	03-4912	03-5912	10
16" GRAB BAR (406 mm) - 1" (25 mm) O.D.	03-4916	03-5916	10
18" GRAB BAR (457 mm) - 1" (25 mm) O.D.	03-4918	03-5918	10
24" GRAB BAR (610 mm) - 1" (25 mm) O.D.	03-4924	03-5924	10
32" GRAB BAR (812 mm) - 1" (25 mm) O.D.	03-4932	-	10
135° ANGLED GRAB BAR KNURLED 12" x 12" (304 mm x 304 mm) - 1" (25 mm) O.D.	03-4905	-	10

