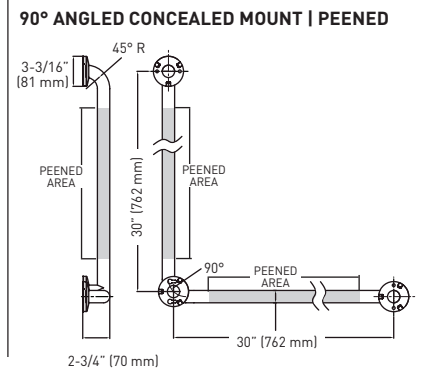
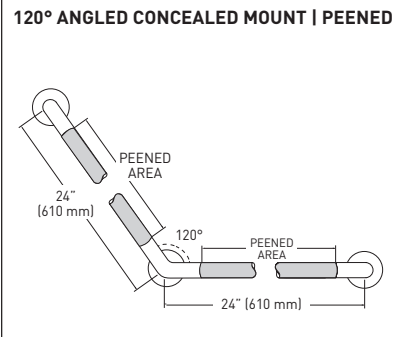
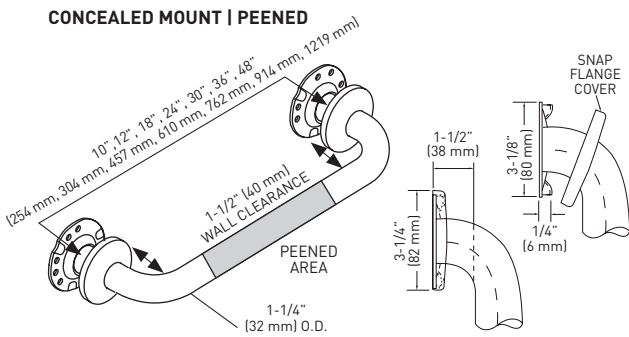
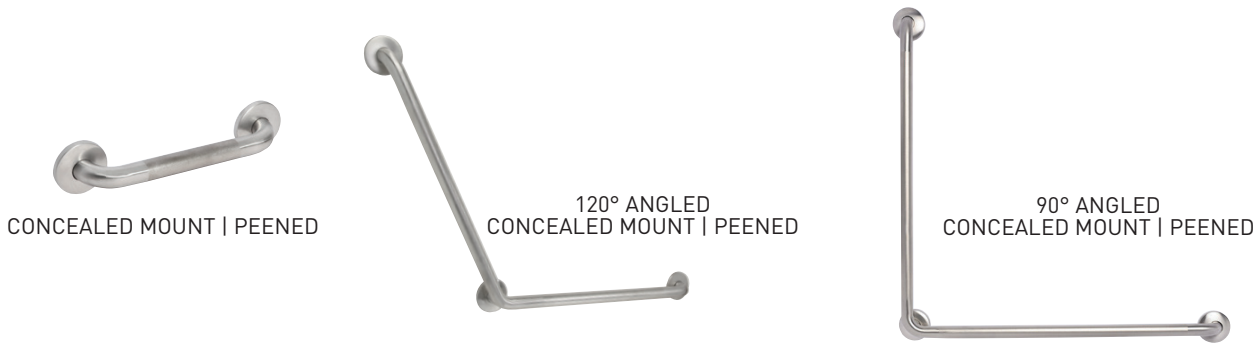


Grab Bars - Concealed Mount MEETS ADA STANDARDS



FEATURES

- › 304 STAINLESS STEEL CONSTRUCTION
- › 18 GAUGE BAR TUBE
- › 14 GAUGE FLANGE WITH FULL 360° BEAD WELD
- › MAXIMUM WEIGHT LOAD 250-300 lbs (113-136 kg)
- › MOUNTING HARDWARE INCLUDED
- › IN COMPLIANCE WITH ANSI 117.1 & CSA-B651



MEETS ADA STANDARDS 

	RETAIL PACK CONCEALED MOUNT PEENED SATIN STAINLESS STEEL 32D	CASE QTY.	BUILDER PACK CONCEALED MOUNT PEENED SATIN STAINLESS STEEL 32D	CASE QTY.
12" GRAB BAR (304 mm) - 1-1/4" (32 mm) O.D.	03-TC220012	3	01-TC220012	5
16" GRAB BAR (406 mm) - 1-1/4" (32 mm) O.D.	03-TC220016	3	-	
18" GRAB BAR (457 mm) - 1-1/4" (32 mm) O.D.	-		01-TC220018	5
24" GRAB BAR (610 mm) - 1-1/4" (32 mm) O.D.	03-TC220024	3	01-TC220024	5
30" GRAB BAR (762 mm) - 1-1/4" (32 mm) O.D.	-		01-TC220030	5
36" GRAB BAR (914 mm) - 1-1/4" (32 mm) O.D.	-		01-TC220036	5
48" GRAB BAR (1219 mm) - 1-1/4" (32 mm) O.D.	-		01-TC220048	5
120° ANGLED GRAB BAR 24" x 24" (610 mm x 610 mm) - 1-1/4" (32 mm) O.D.			01-TC22120	5
90° ANGLED GRAB BAR 30" x 30" (762 mm x 762 mm) - 1-1/4" (32 mm) O.D.			01-TC323030	5

MEASUREMENTS SUBJECT TO A 3% VARIANCE

MEASUREMENTS ARE FOR REFERENCE ONLY. TAYMOR RESERVES THE RIGHT TO CHANGE THE PRODUCT SPECS WITHOUT NOTICE. FOR PRODUCT WARRANTY, PLEASE VISIT TAYMOR WEBSITE FOR DETAILS

© TAYMOR INDUSTRIES LTD. |

MAY 2026

| taymor.com



CUSTOMER SERVICE WEST 1-800-267-4774 | EAST 1-800-387-7064